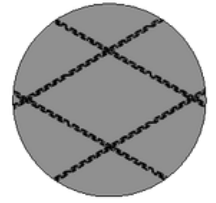
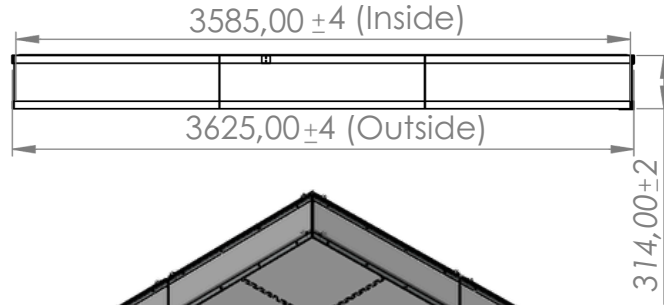
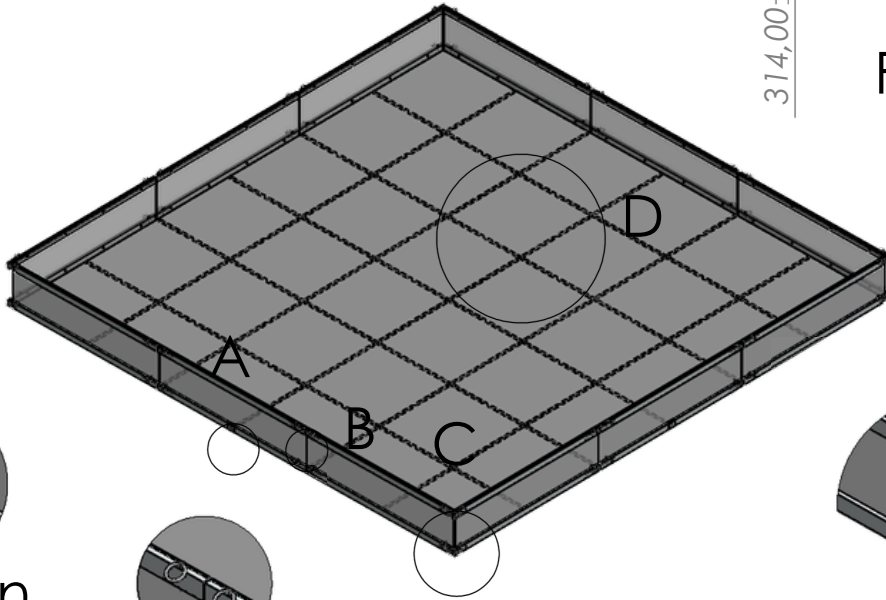


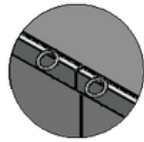
# FTC FIELD TECHNICAL BINDER - ROBOPIECE



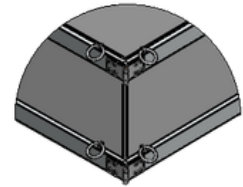
Floor EVA Foam <sub>D</sub>  
RATIO 1 : 35



Tension Hook <sub>A</sub>  
RATIO 1 : 12.5



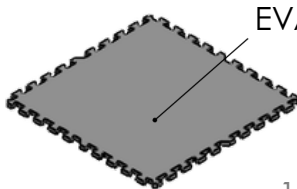
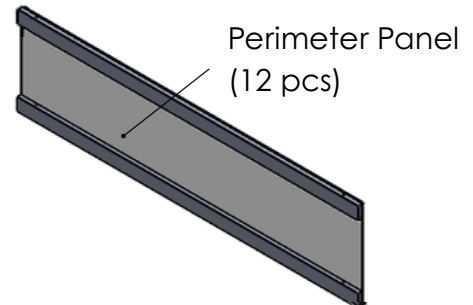
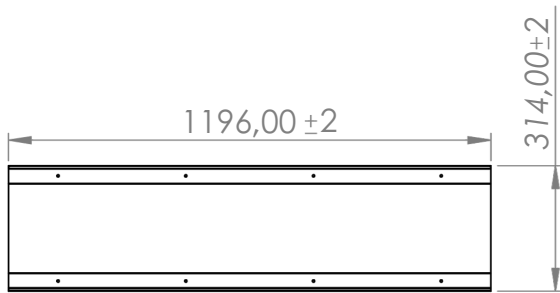
Panel Connection <sub>B</sub>  
RATIO 1 : 12.5



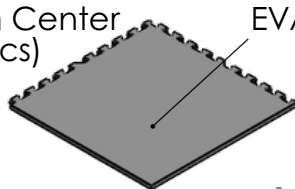
Corner Connection <sub>C</sub>  
RATIO 1 : 15



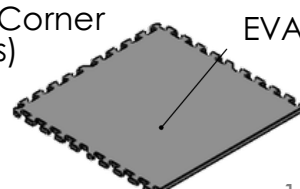
Profile <sub>E</sub>  
RATIO 1 : 5



EVA Foam Center (16 pcs)



EVA Foam Corner (4 pcs)



EVA Foam Edge (16 pcs)

